

## Data Sheet

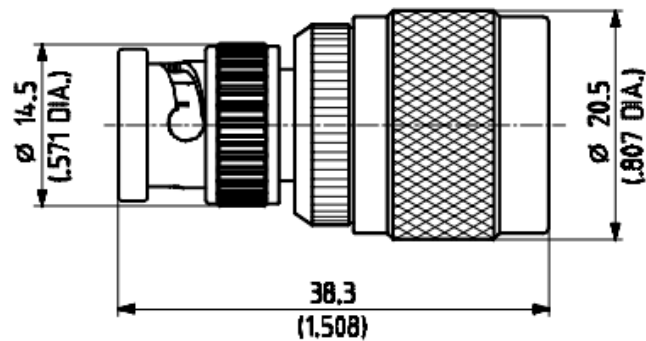
# 24

**SUHNER TYPE** 32 BNC-N-50-1 / 133 UE  
**Order No.** 22540571

**BNC** plug (m)  
**N** plug (m)

**Packaging** single

**Material:**  
**BNC** brass/SUCO\*  
**N** brass/SUCO\*



**VSWR:** DC - 4 GHz:  $\leq 1.06 + 0.4f$